



# EASYCHEF ECC24/30FL BUILT-IN FRONT LOADING CHARCOAL GRILL INSTALLATION INSTRUCTIONS



Typical Island Installation - ECC24FL

## FOR YOUR SAFETY

**Do not store or use gasoline or other flammable vapors and liquids in the vicinity of this or any other appliance.**

**THIS GAS APPLIANCE IS DESIGNED FOR OUTDOOR USE ONLY.**

**WARNING: INSTALL IN NON-COMBUSTIBLE STRUCTURE ONLY. CHECK LOCAL BUILDING CODES FOR PROPER CONSTRUCTION METHOD.**

**NOTICE TO INSTALLER: These instructions must be left with the owner and the owner should keep them for future use.**

## GENERAL INFORMATION AND FEATURES

Thank you for purchasing the *EasyChef™ Outdoor Cooking System*. Our goal is to manufacture quality outdoor cooking products that provide years of service and satisfaction.

### *Standard Features Include:*

- Heavy duty steel frame.
- Stainless type 304 stainless steel cooking grids.
- Lift a Fire adjustable charcoal tray allows for raising and lowering of coals for heat adjustment and to help prevent flare ups.
- Optional Stainless Steel Hood with built-in hood thermometer provides cooking temperature references.
- Optional Heavy Duty stainless steel warming rack.

*EasyChef* outdoor cooking can be an exciting experience. You can grill, barbecue, roast, and bake with results that are tough to duplicate with indoor appliances.

The *EasyChef* has a range of installation options with some fore-thought and planning the *EasyChef* can be installed with minimum effort.

Remember when selecting a location for your grill installation, convenience is the key to outdoor cooking. Try to find a location that allows for easy access in both food preparation and service. *The grill will become hot during operation, high traffic areas should be avoided.* An additional consideration is maintenance and service. Always allow room for cleaning and annual service.

Your built-in installation requires a non-combustible structure. Special consideration to clearances from combustible materials and overhead areas is very important. Follow the information included in this manual for proper installation.

Your *EasyChef* is constructed from heavy duty steel and finished with a high temperature finish. We suggest covering your grill when not in use. Covers are available from your dealer. This will help minimize the effects of weather and general wear and tear.

## GENERAL INSTRUCTIONS

The following instructions will give you the minimum requirements for safely installing and operating your *EasyChef* barbecue. Please read this manual and instructions carefully before attempting to install or operate this appliance.

- ★ This appliance is not for use by children.
- ★ Use extreme caution when using liquid charcoal lighters for flame flare ups.

## OPERATING AREA

**WARNING: Only use this barbecue outdoors in a well-ventilated area. Do not use in a garage, building, breeze way or any other enclosed area.**

- ★ Never install and operate your *EasyChef* barbecue under an unprotected combustible roof or overhang.
- ★ Your *EasyChef* is not intended for installation in or on a recreational vehicle or boat.
- ★ Do not use combustible materials within 16" of the top and back or 14 inches from the side of this appliance.
- ★ The entire cooking box and hood get hot when in use. Do not leave unattended.
- ★ Keep electrical supply cord away from heated surfaces.
- ★ Keep cooking area clear of flammable vapors and liquids, such as gasoline, alcohol, etc., and combustible materials

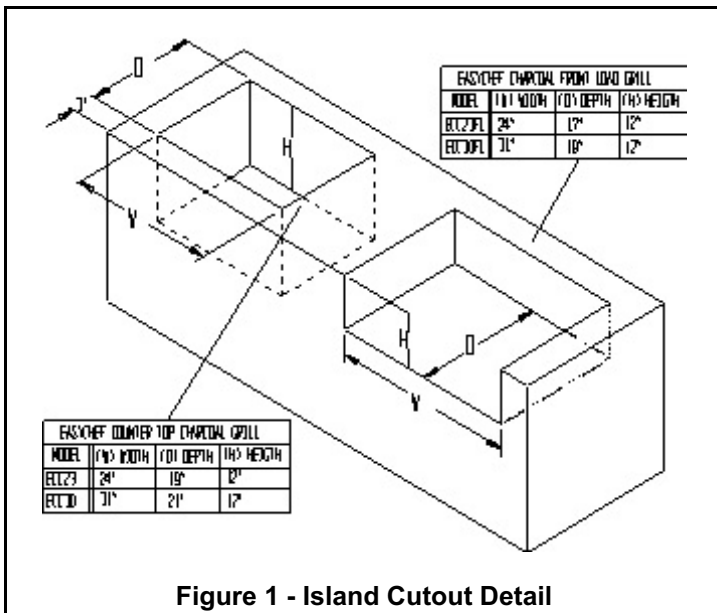


Figure 1 - Island Cutout Detail

**WARNING: UNIT MUST BE INSTALLED IN A FULLY LINED OPENING MADE FROM NON-COMBUSTIBLE MATERIALS.**

**STEP BY STEP INSTALLATION**

1. Prepare a rough or bricked opening of based on dimensions in cutout detail (**See Figure 1**). Make sure this opening has sides and bottom to capture any ash or coals that may drop during BBQ use.
2. Remove all contents from shipping carton and identify with parts list.
3. Remove white protective plastic coating from stainless parts by peeling from part edge.
4. Slid chassis into opening and center. Front should be flush with island opening. **Level if required.**
5. Place charcoal tray and cooking grids onto frame.

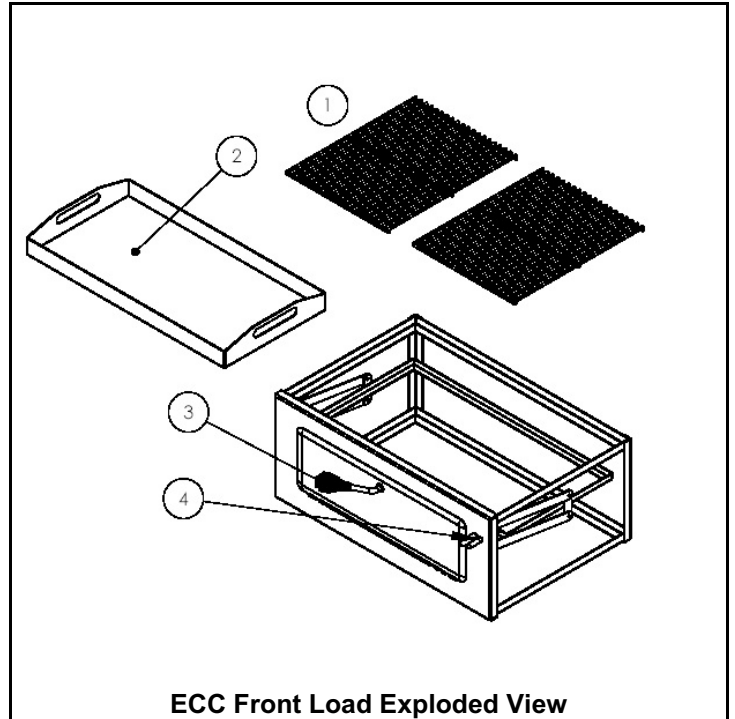
Note: If desired, the unit may be grouted in place in front and top. This will give unit a built-in.

**OPERATING INSTRUCTIONS**

Building a charcoal fire maybe accomplished by removing the cooking grids or adding charcoal from the front door. Stack match light type of coals in center of charcoal pan. Light and let burn until coals are light white color. Spread coals and adjust cooking height by turning crank handle.

**CARE AND MAINTENANCE**

For maximum life of coated surfaces, we suggest the *EasyChef* grill be covered when stored outdoors. A custom fit cover is available from your dealer. If the coated surfaces become dirty, they maybe cleaned with mild soap and water. Stainless surfaces maybe cleaned in the same way. If the stainless surface becomes scratched, you may polish the surface using a "Scotch Brite" pad. Remember to scrub in the direction of the material finish.



ECC Front Load Exploded View

ITEM	DESCRIPTION	P/N
1a	Cooking Grid - ECC24FL	300503
1b	Cooking Grid - ECC30FL	300504
2a	Charcoal Pan - ECC24FL	201737
2b	Charcoal Pan - ECC30FL	201731
3	Door Handle	110072
4	Lift Crank Handle	110461

**CUSTOMER SERVICE**

If you have any questions regarding this product please check our website [www.sierraproductsinc.net](http://www.sierraproductsinc.net) or contact - Customer Service, Sierra Products, Inc., Monday thru Friday 8:00am to 5:00pm PT at 1.775.241.2586



Sierra Products, Inc.  
63 Laxalt Dr. Carson City, NV 89706

P/N 140725R2

